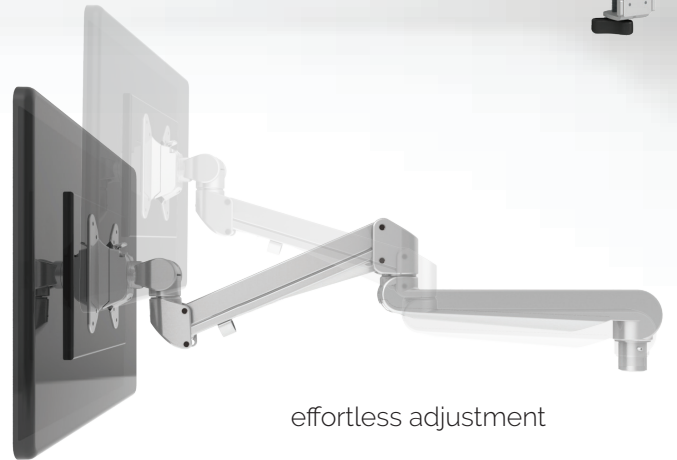
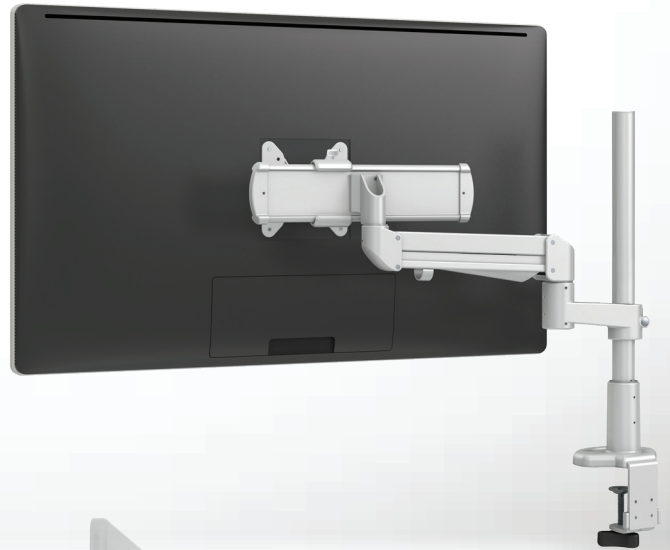




Evolve1™ MS

Single Motion + Slider
Monitor Arm



effortless adjustment

Model Number

- EVOLVE1-MS-SLV
- EVOLVE1-MS-BLK
- EVOLVE1-MS-WHT

Evolve Monitor Arm Key

- F - Fixed Monitor Arm
- M - Motion Monitor Arm
- S - Slider Mount

Evolve For Every Need

- As workstation needs change, so can the Evolve configurations. Additional components sold separately.

Call our Customer Service Department for comparability on pricing for custom configurations.

Product Specs

- Finger touch dynamic height adjustment
- Recommended for worksurfaces 30.0" deep or less
- 5.07" arm extension
- 2.55" arm retraction
- +80°/-60° monitor tilt
- ±90° VESA rotation
- 4.4 lb.-15.4 lb. weight capacity
- 19.70" pole height
(includes base)
- VESA 75mm/100mm quick release
- 180° lock-out feature
- Desk clamp and grommet mount included
- Meets or exceeds BIFMA x5.5 guidelines
- Slider provides 8.5" of additional horizontal adjustability
- Patented slider for exclusive use

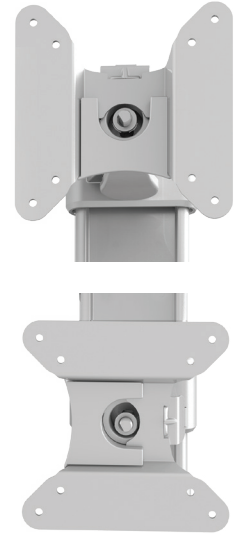
Evolve1™MS



VESA quick release



integrated allen key storage



landscape/portrait rotation



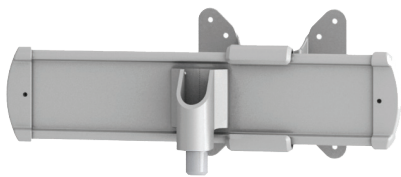
grommet mount



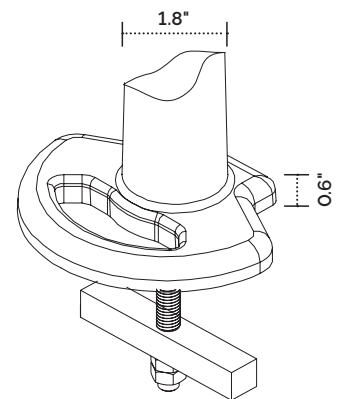
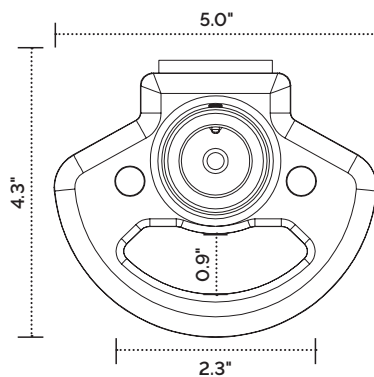
desk clamp



cable management



slider



Evolve1™ MS

